

Dampers

Pressure Relief Damper (Duct Mounted)

PRD Series

General

2
40

Silencers

Acoustic Enclosures

Plenum Boxes

Louvers

Kitchen Hoods

Supports & Bands

Access Doors

Flexible Connectors

Flanges & Accessories

Tapes & Sealants

PRD 30 - 100



Description

Back draft Dampers, are used in intake & discharge openings in commercial and residential airconditioning systems. When the ventilation system is on, the blades of the pressure relief damper are held in the open position by the air flow. If the system is switched off, the damper blades close automatically, thus preventing reverse airflow and giving protection against the ingress of untempered air, rain and birds into the airconditioning system.

Standard Construction

FRAME:

Gauge 18 ga. from formed channel frame galvanized steel sheet.

BLADES:

100mm max. width, 0.75mm thk. mill finish aluminum sheet.

Sealing strip on blades in foam gasket.

LINKAGE:

Galvanized steel sheet 28mm x 22 gauge

BEARINGS:

Bearing section in brass

SHAFTS:

Blade stub shafts in HDG steel

MINIMUM SIZE:

100 x 100mm, damper up to 200mm high are single blade construction.

MAXIMUM SIZE:

1000 x 1500mm, as single section.
Multiple section assembly with unlimited size, where each section operates independently.

For details of multiple sections consult SAFID.

PRD 30 - 110

General construction as type PRD 30-100 damper but frame & blades, all from mill finish aluminum sheets.

PRD 30 - 120

General construction as type PRD 30-100 damper but frame & blades, all from galvanized steel sheets construction with counter weight.

PRD 30 - 130

General construction as type PRD 30-100 damper but with frame built of stainless steel sheet type 304, 2B finish and blades built of mill finish aluminum sheets.

Right to alterations reserved.

Dampers

Pressure Relief Damper

PRD Series

(Duct Mounted)

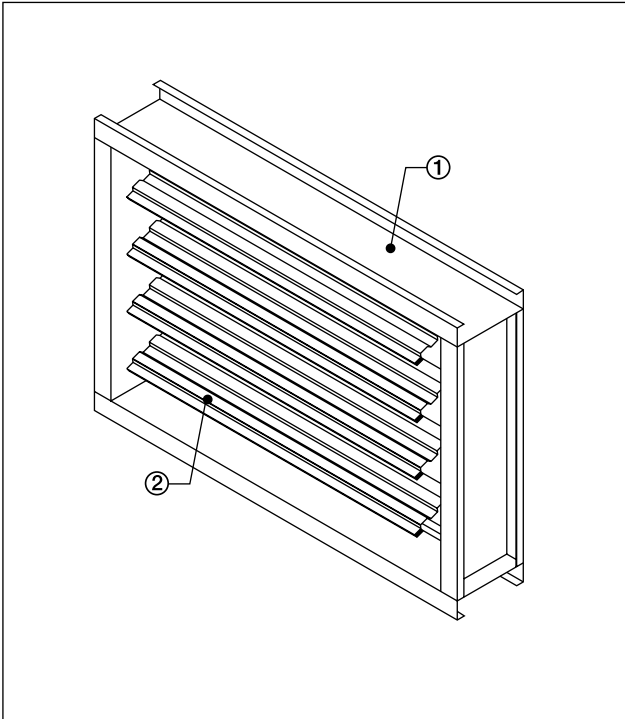
Construction - Dimensions

1 - Casing
2 - Blade

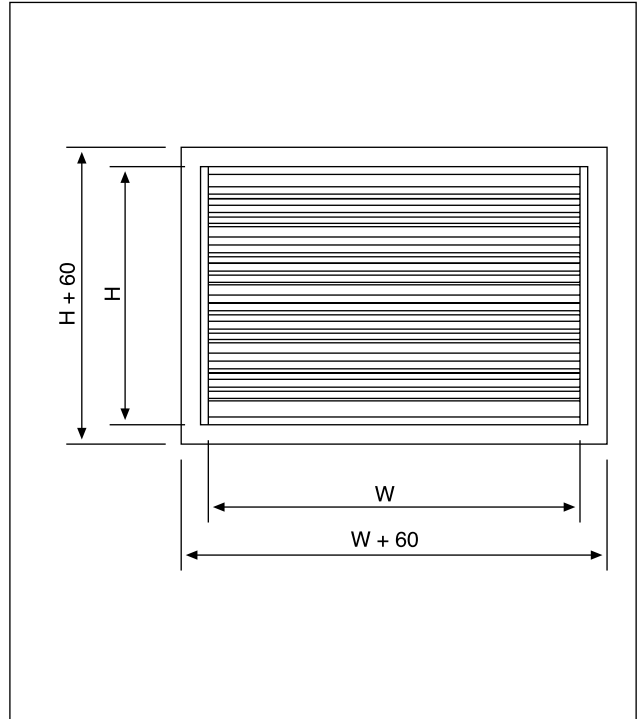
3 - Bearing Section
4 - Linkage

5 - Sealing Strip

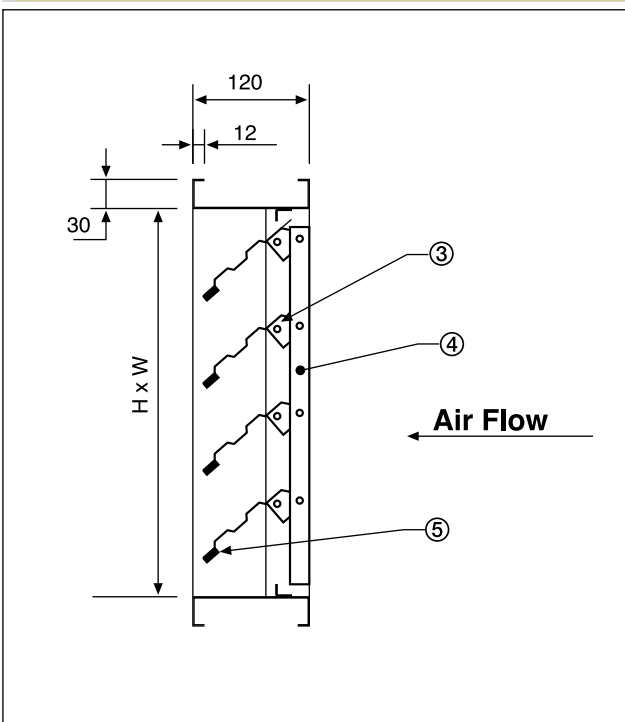
PRD 30



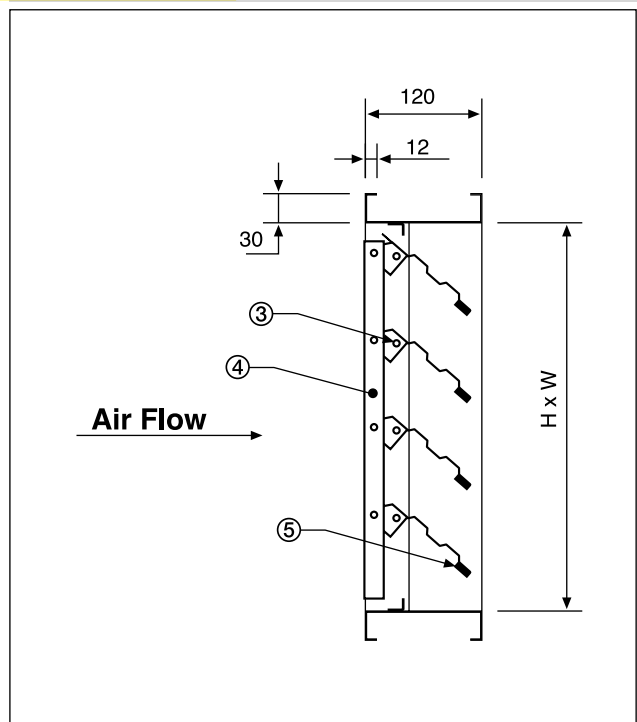
PRD 30 - 100...120...130



PRD 30 - 100



PRD 30 - 100



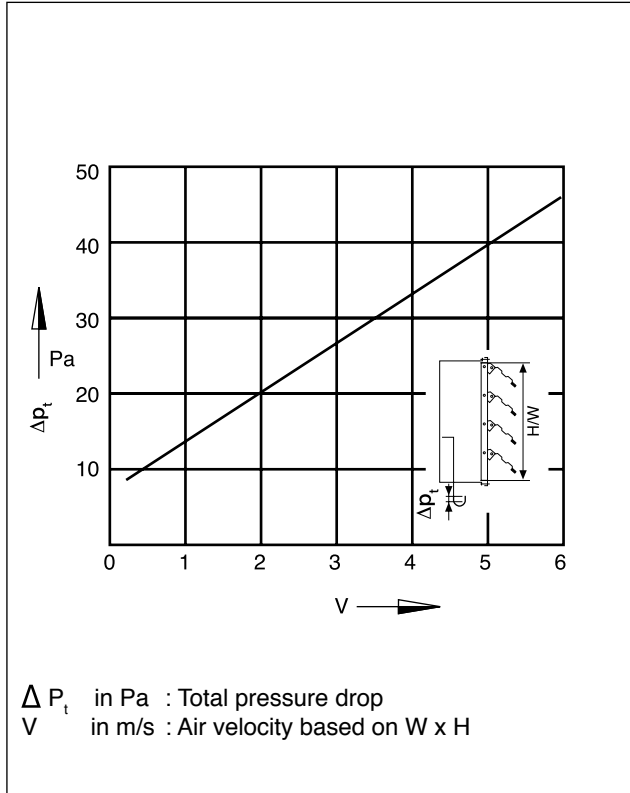
Right to alterations reserved.

Dampers

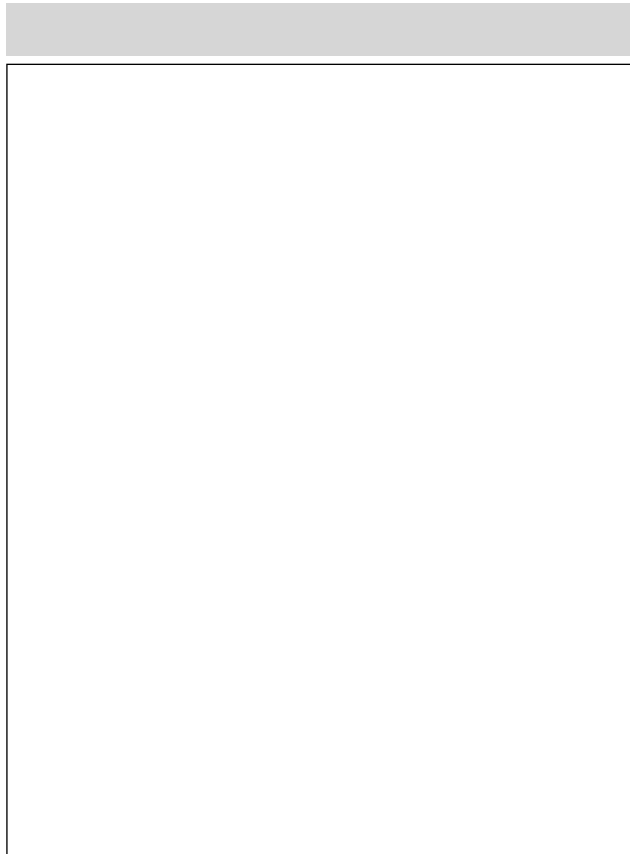
Pressure Relief Damper

PRD Series

Pressure Loss Standard Sizes



W	H
100	100
100	200
150	300
200	400
250	500
300	600
350	700
400	800
450	900
500	1000
600	1100
700	1200
800	1300
900	1400
1000	1500



Order Example

Product type PRD 30 - 100 - aaa x aaa

PRD 50 _____

PRD 30 _____

Sizes _____

STANDARD

Make : SAFID _____

Type : PRD30-100 - 500 x 500 _____

Qty : 1 _____

- General
- 2 / 43**
- Silencers
- Acoustic Enclosures
- Plenum Boxes
- Louvers
- Kitchen Hoods
- Supports & Bands
- Access Doors
- Flexible Connectors
- Flanges & Accessories
- Tapes & Sealants

Right to alterations reserved.